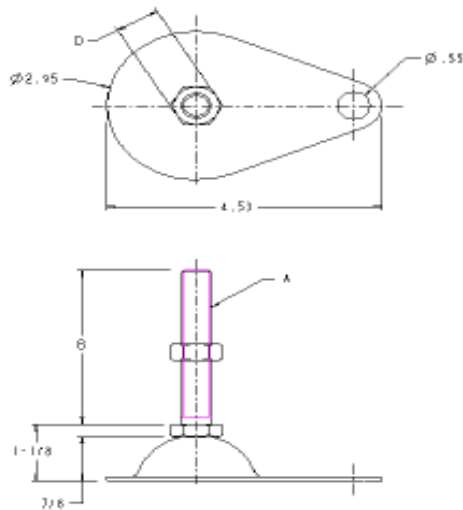


LEVELING DEVICES- Industrial Mounts - LBL

New Vlier Industrial Mounts

Our new NSR and LBL Leveling mounts are a low cost option for medium and heavy-duty industrial applications.

The **LBL** offers a choice of all steel or all stainless steel construction with a fixed stud design. The unique pad design incorporates a lag hole for applications needing to be secured to the floor.



Part No.	Load Rating	Material	A Thread	B Stud Length	C Height to Hex	D Hex
LB306S	400	Steel	1/2-13	4	1-1/8	0.75
LB308S	600	Steel	5/8-11	4	1-1/8	0.88
SLB306S	400	Stainless	1/2-13	4	1-1/8	0.75
SLB308S	600	Stainless	5/8-11	4	1-1/8	0.88